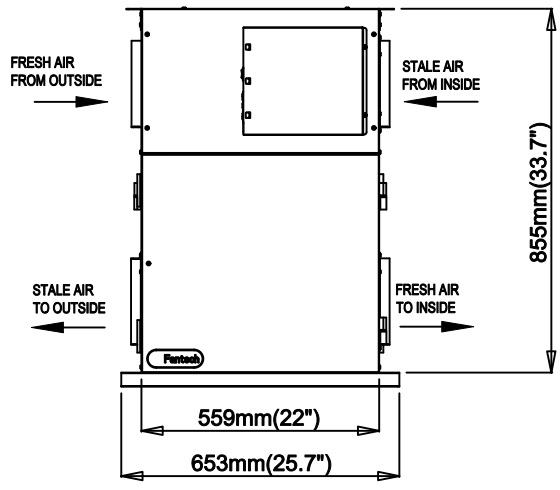
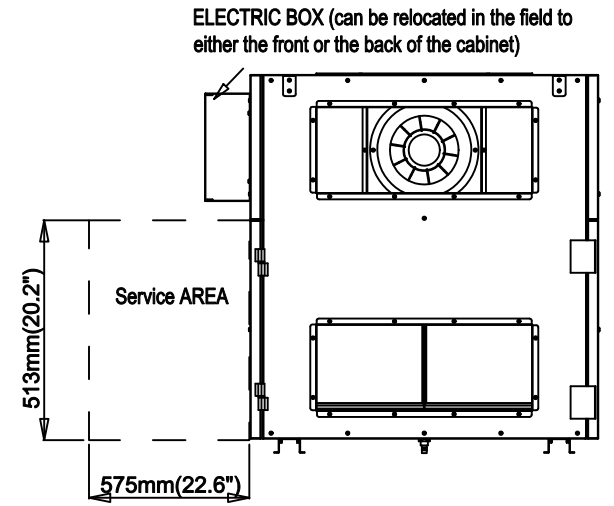


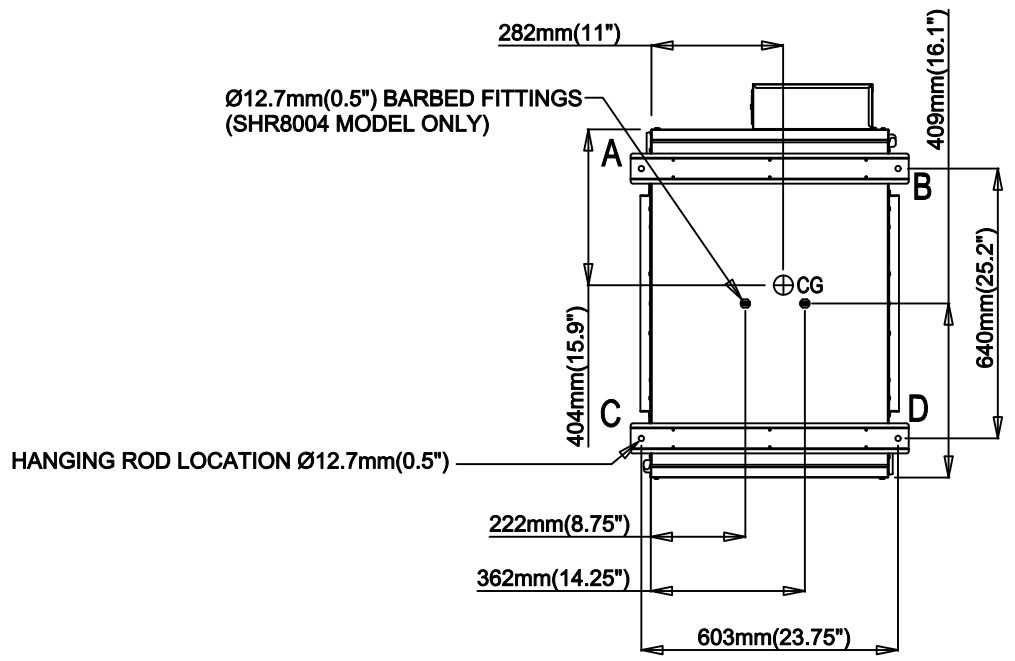
LEFT VIEW



FRONT VIEW



RIGHT VIEW



BOTTOM VIEW

Weight Distribution

SHR8004

- A 19Kg (41.9lbs)
- B 20Kg (44lbs)
- C 16.5Kg (36.4lbs)
- D 17Kg (37.5lbs)
- CG 71.5Kg (158lbs)

Model:	SHR8004	NTS	450508. Nov2007
--------	---------	-----	-----------------

