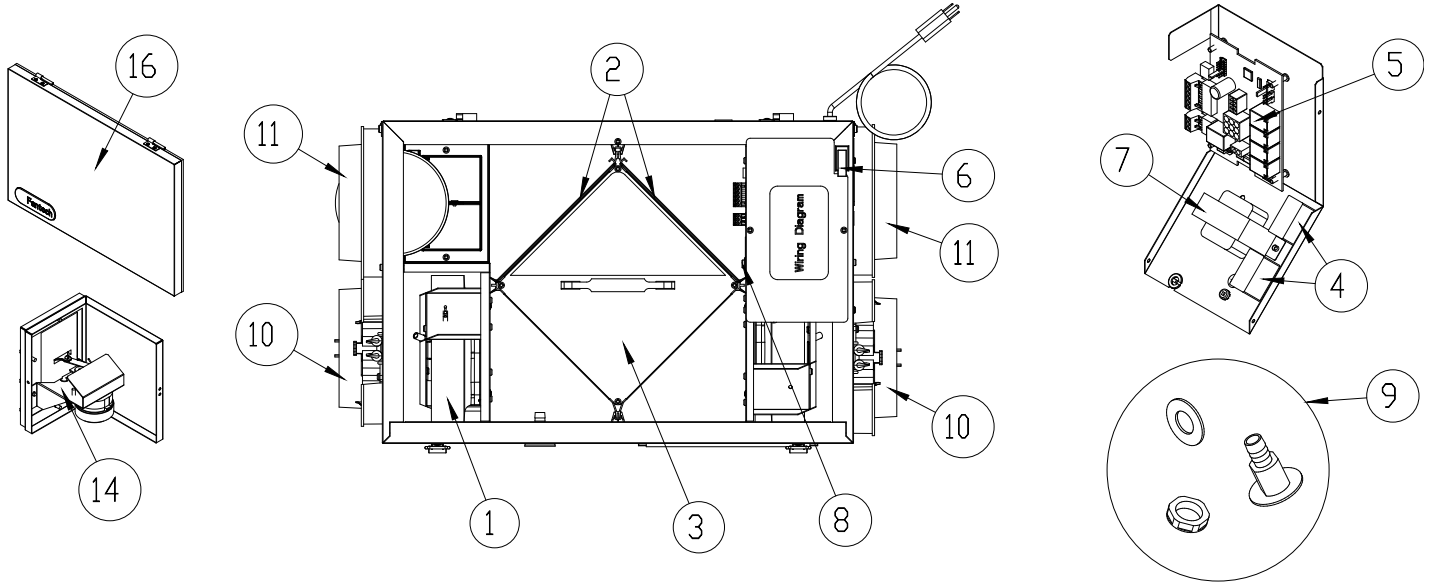


# SHR150 • SHR150R

## Heat Recovery Ventilator/Ventilateur récupérateur de chaleur



BOM #	Description	SHR150 (91686)	SHR150R (79050)
1	R2E 190 Radical, Rep. Kit	405520	405520
2	Electrostatic Filters Kit 8.5" x 15"	402041	402041
3	Heat Recovery Cell 9" x 9" x 15"	422785	422785
4	Capacitors 8uF	410012	410012
5	Kit,PCB Replacement,Board,AC	422677	422677*
6	Door Switch	410867	410867
7	Auto-Transformer	411963	411963
8	Control Switch	410213	410213
9	Kit Drain Plug	40315	40315
10	Collar, 6", Balancing, 10mm	403382	403382
11	Collar 6", 24mm, LIP	410542	410542
14	Damper Motor Assy, Repl.	N/A	422805
15	Temperature Probe	40286	40286
16	Door Assembly	422806	422806
	Kit, Chain	404261	404261
	Wall Support,VHR120R/150R	426466	426466
	Wiring Diagram	423054	408601
	Installation Manual	422763	422763



\* If the first set of digits (can be between 7 and 10 digits long) of your serial number is **#2526897** or lower, your replacement board is **#420459**

\* Si la première série de chiffres ( entre 7 et 10 chiffres) de votre numéro de série est **2526897** ou plus bas, votre carte de remplacement est **#420459**.

