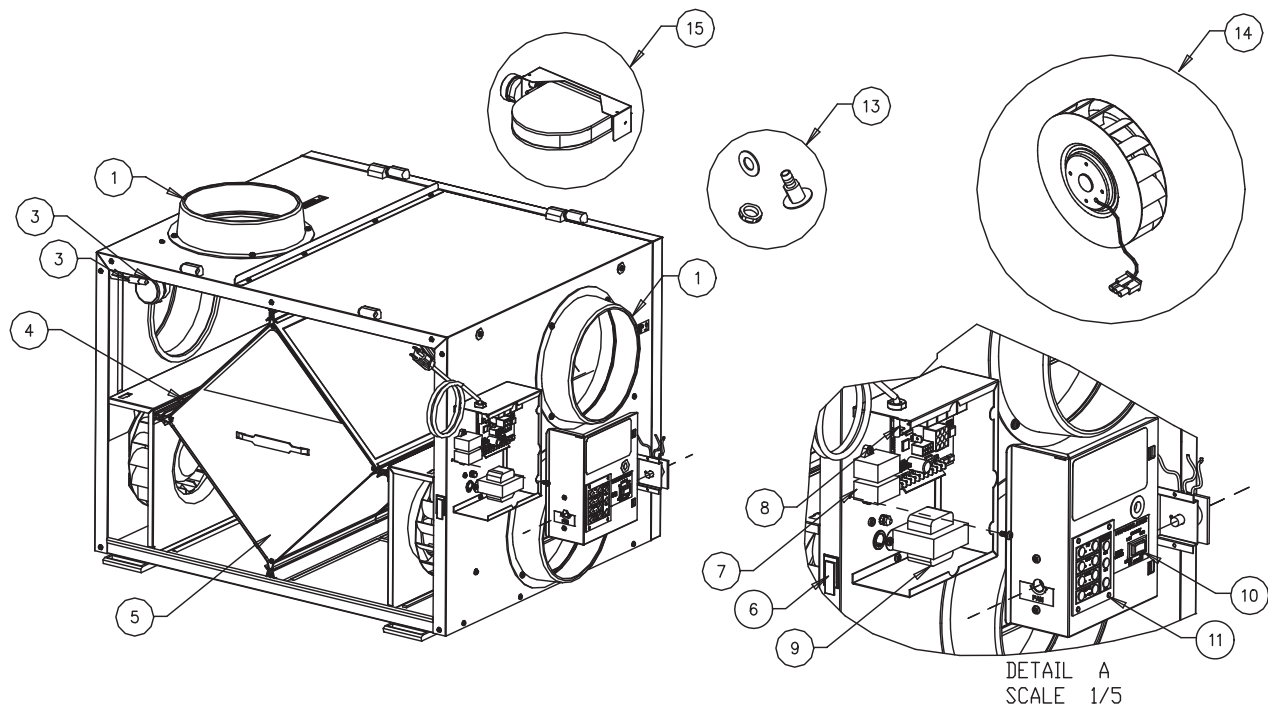


SHR3205R

Heat Recovery Ventilator/Ventilateur récupérateur de chaleur



BOM #	Description	SHR3205R (40225)
1	8" Collar	410533
2	8" Collar Insert	411467
3	Temperature Probe	40326
4	Electrostatic Filters Kit 11.5" x 11"	40328
5	Heat Recovery Cell 12" x 12" x 11.5"	401651
6	Door Switch	410867
7	Capacitors, 10uF	410040
8	Electronic Board	402004
9	Auto-Transformer	411963
10	Control Switch	410213
11	PCB, Wiring Panel	411719
13	Kit Drain Plug	40315
14	Motor Assembly	405520
15	Damper Assembly	40329
	Door Assembly (Plastic hinges)	405540
	Door Assembly (Metal hinges)	427141
	Kit, Chain	404261
	Wiring Diagram	403335
	Installation Manual	405190