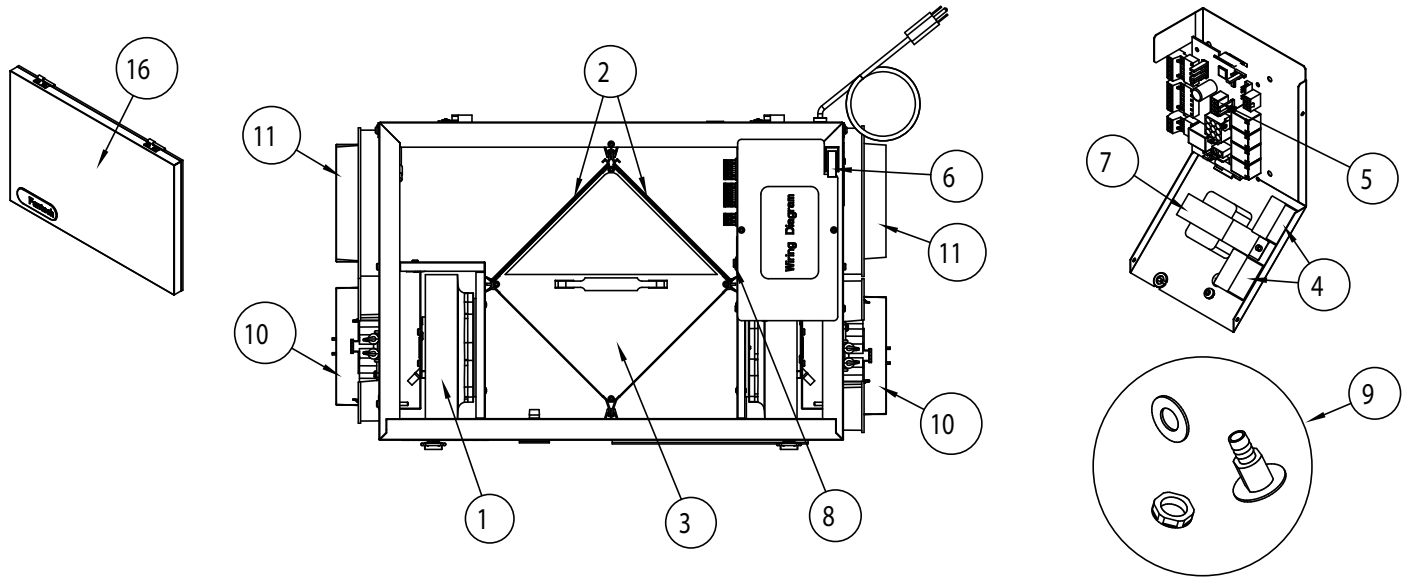


SER200

Energy Recovery Ventilator/Ventilateur récupérateur d'énergie



BOM #	Description	SER200 (99226)
1	Kit, Repl, Motor, R2E220	40323
2	Filter, 2x R-200 (11.5 x 15) Rep. Kit	40327
3	Energy Recovery Cell 12" x 12" x 15"	427789
4	Capacitors 10uF	410040
5	Kit,PCB Replacement,Board,AC	422677
6	Door Switch	410867
7	Auto-Transformer	411963
8	Control Switch	410213
9	Kit Drain Plug	40315
10	Collar, 6", Balancing, 10mm	412284
11	Collar 6", 24mm, LIP	410542
15	Temperature Probe	40286
16	Door Assembly	427756
	Kit, Chain	404261
	Wall Support,VHR200	422998
	Filter,MERV-6,11.5x15x0.125"	412630
	Wiring Diagram	422576
	Installation Manual	427787