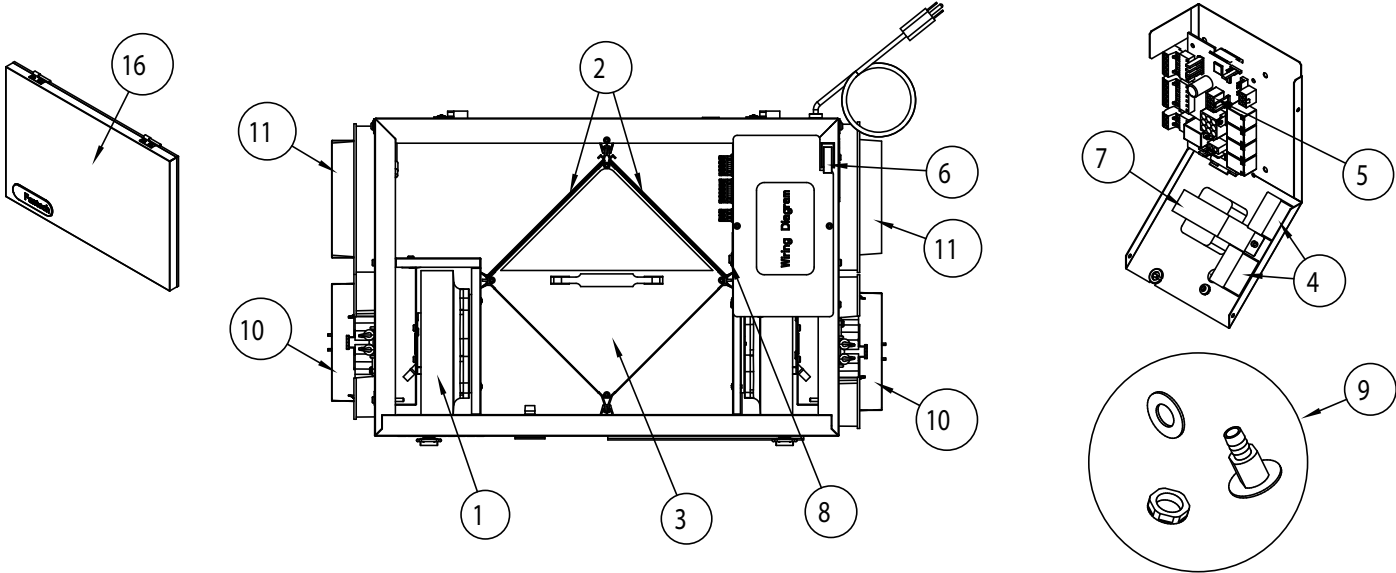


SER150

Energy Recovery Ventilator/Ventilateur récupérateur d'énergie



BOM #	Description	SER150 (99209)
1	R2E 190 Radical, Rep. Kit	405520
2	Electrostatic Filters Kit 8.5" x 15"	402041
3	Energy Recovery Cell 9" x 9" x 15"	427473
4	Capacitors 8uF	410012
5	Kit,PCB Replacement,Board,AC	422677
6	Door Switch	410867
7	Auto-Transformer	411963
8	Control Switch	410213
9	Kit Drain Plug	40315
10	Collar, 6", Balancing, 10mm	412284
11	Collar 6", 24mm, LIP	410542
15	Temperature Probe	40286
16	Door Assembly	422806
	Kit, Chain	404261
	Wall Support,VHR120R/150R	426466
	KIT, FILTER, 2XMERV6, 8.5"X15"	414647
	Wiring Diagram	422576
	Installation Manual	427470