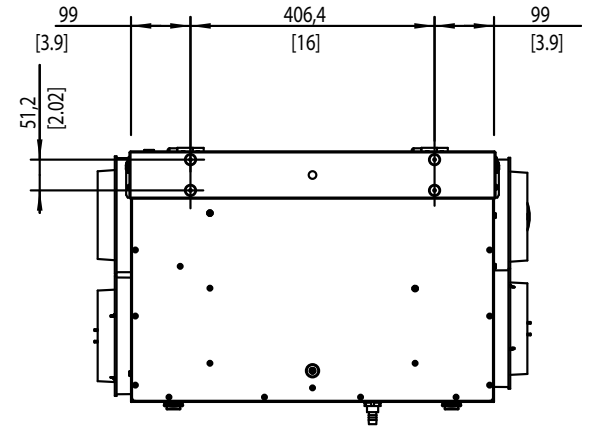
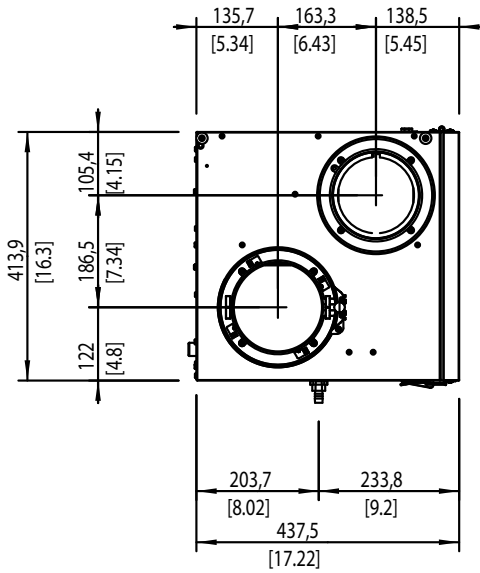


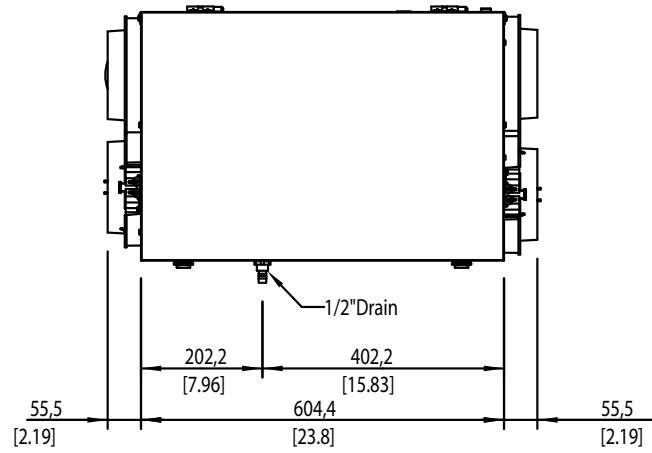
Top View  
Hanging Hole Pattern  
(Chain)



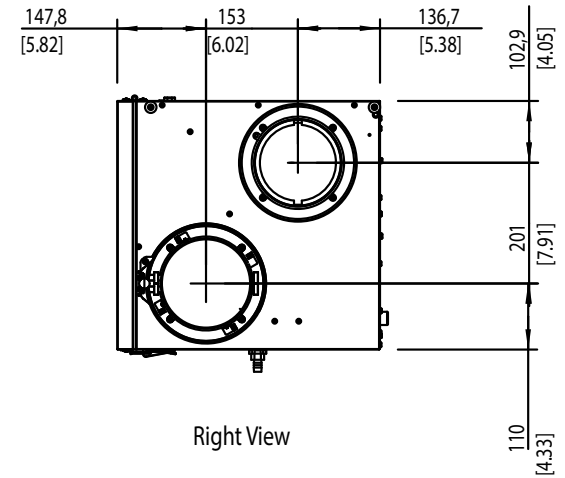
Back View  
Hanging Hole Pattern  
(Mount Bracket)



Left View



Front View



Right View

Model: SHR150/R SER150	NTS	E400026
---------------------------	-----	---------



**fantech**®  
a systemair company